



Illuminated Pushbutton

Specifications

Electrical Ratings	500mA @ 24VDC	Dielectric Strength	1000Vrms min
Electrical Life	1,000,000 cycles typical	Insulation Resistance	>100MΩ min
Contact Resistance	<50mΩ initial	Operating Temperature	-40°C to 85°C
Actuation Force	200 ±50gF	Storage Temperature	-40°C to 85°C
Actuation Travel	2.2 ± .1mm		

Materials

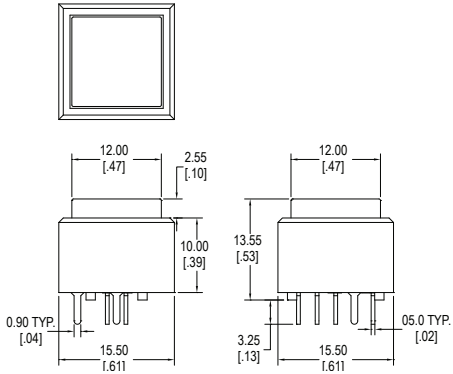
Actuator Cap	Poly Carbonate (PC)
Actuator Body	Poly Carbonate (PC)
Housing	Polyamide (PA), UL94V-0
Terminal Base	Polyamide (PA), UL94V-0
Contacts	Brass Rivet, Silver or Gold Plated
Terminals	Brass, Silver or Gold Plated

Ordering Information

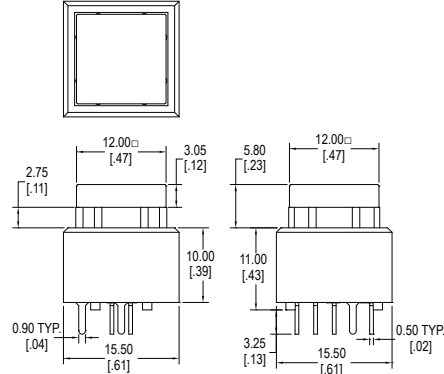
1. Series	JC	V	1	RR	R	33	MSJ
JC							
2. Actuator Options	<ul style="list-style-type: none"> S = Square H = Extended Square R = Rectangle V = Square, concave Q = Square, concave PS = Square, panel mount PH = Extended Square, panel mount 						
3. Number of Poles	<ul style="list-style-type: none"> 1 = SPDT 2 = DPDT 						
4. Latching Option	<ul style="list-style-type: none"> Blank = Momentary L = Latching **Not available with R actuator 						
5. LED Color	BB = Blue	RB = Red/Blue	YW = Yellow/White				
	RR = Red	WW = White	RW = Red/White	GB = Green/Blue			
	GG = Green	RY = Red/Yellow	YG = Yellow/Green	GW = Green/White			
	YY = Yellow	RG = Red/Green	YB = Yellow/Blue	BW = Blue/White			
	RGB = Red/Green/Blue						
6. Contact Material	<ul style="list-style-type: none"> Q = Silver R = Gold 						
7. Diffuser Color Options	<ul style="list-style-type: none"> Blank = White (standard) 3 = Red 4 = Yellow 5 = Green 7 = Blue 			8. Actuator Color Options **available only with V & Q actuators			
				<ul style="list-style-type: none"> Blank = Clear (standard) 3 = Red 4 = Yellow 5 = Green 7 = Blue 			
9. Laser Etching Colors	<ul style="list-style-type: none"> Blank = No laser etching color MS = Misty Silver B = Black 			10. Laser Etching Styles			
				<ul style="list-style-type: none"> Blank = No laser etching style A C E G I K B D F H J L 			

Dimensions

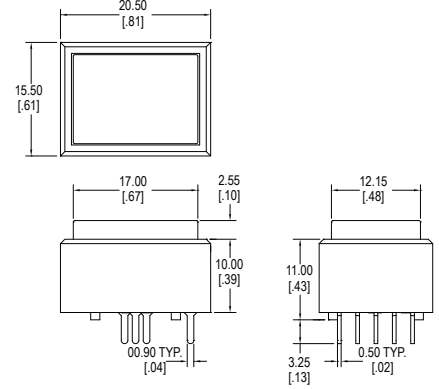
S, Square



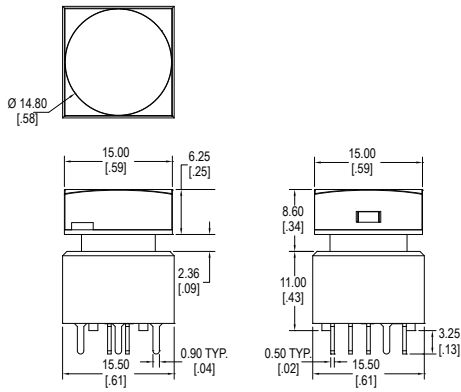
H, Extended Square



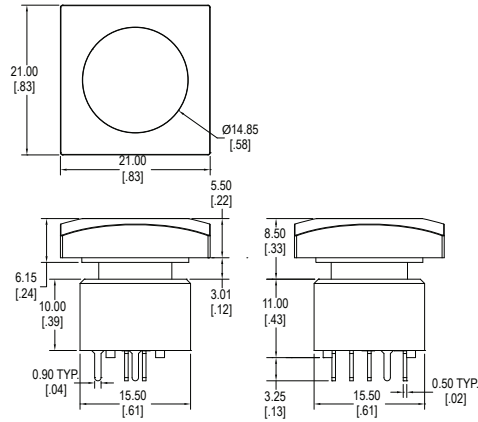
R, Rectangle



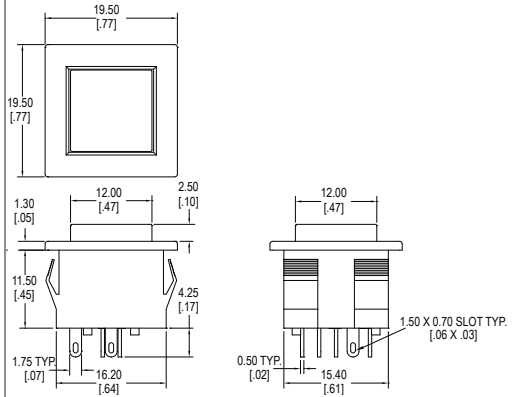
V, Concave Square



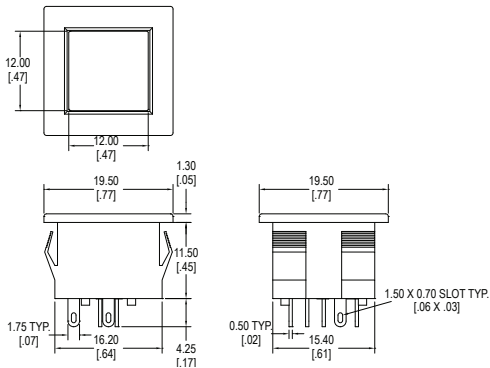
Q, Concave Square



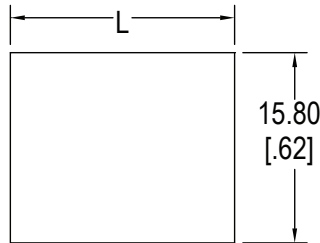
PH, Panel Mount Extended Square



PS, Panel Mount Square



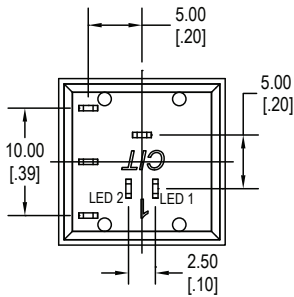
Panel Cutout



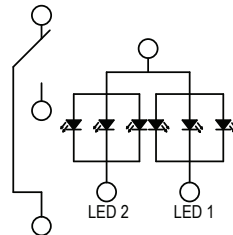
Panel Thickness	"L"
0.75 - 1.25mm	18.0 - 18.2mm
1.25 - 2.00mm	18.2 - 18.4mm
2.00 - 3.00mm	18.4 - 18.6mm

Bottom Views, Schematics & PC Layouts

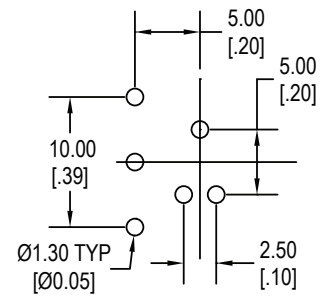
S, H, V & Q, SPDT, Bottom View



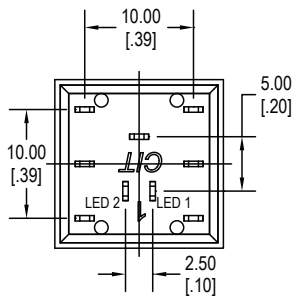
Schematic



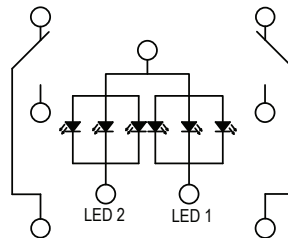
PC Layout



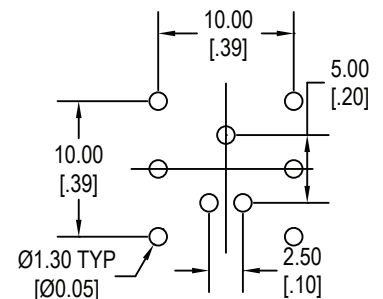
S, H, V & Q, DPDT, Bottom View



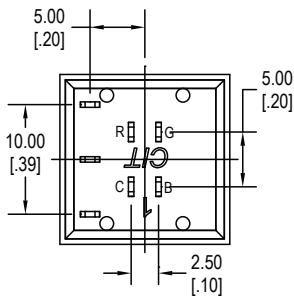
Schematic



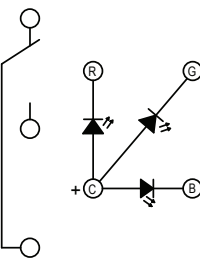
PC Layout



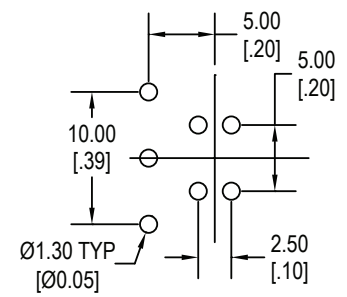
S, H, V & Q, SPDT, RGB Bottom View



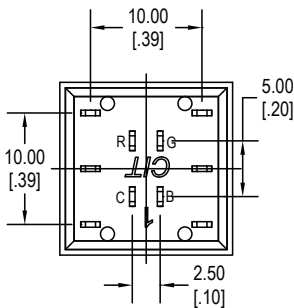
RGB Schematic



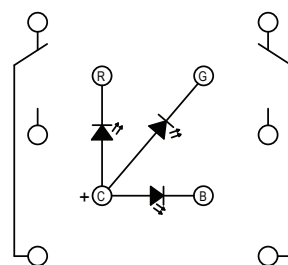
RGB PC Layout



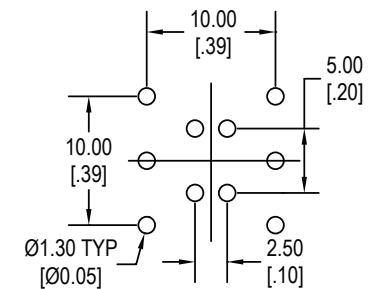
S, H, V & Q, DPDT, RGB Bottom View



RGB Schematic

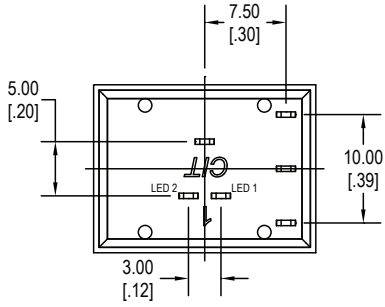


RGB PC Layout

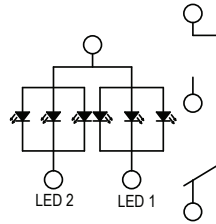


Bottom Views, Schematics & PC Layouts

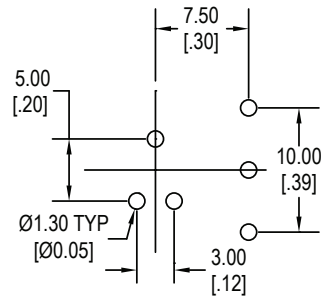
R, SPDT, Bottom View



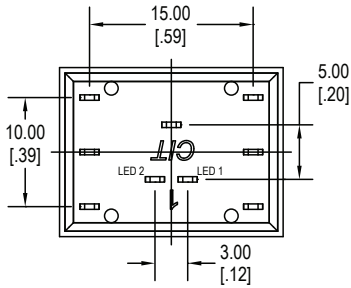
Schematic



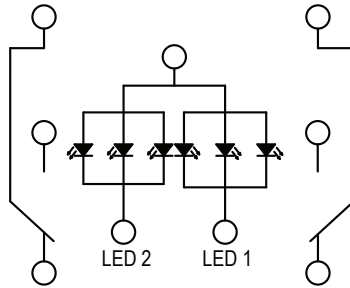
PC Layout



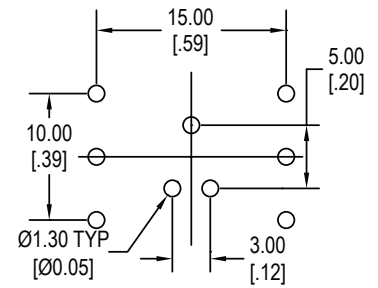
R, DPDT, Bottom View



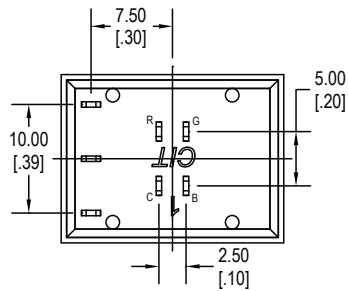
Schematic



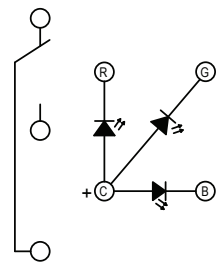
PC Layout



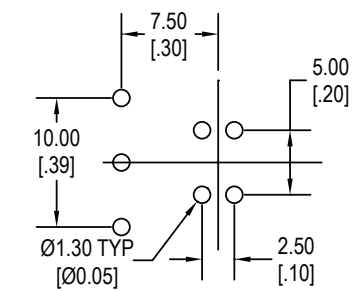
R, SPDT, RGB Bottom View



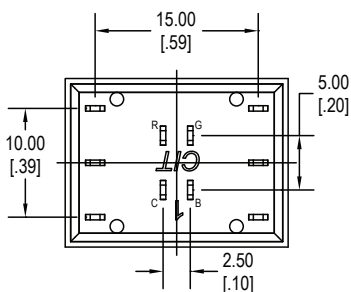
RGB Schematic



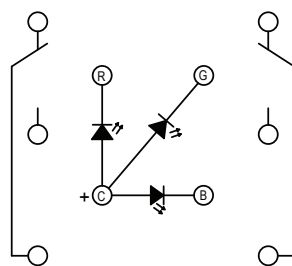
RGB PC Layout



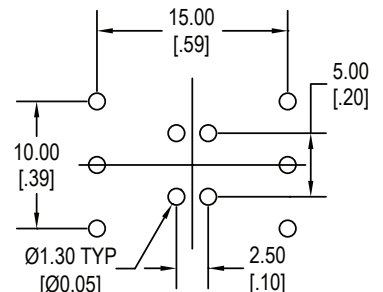
R, DPDT, RGB Bottom View



RGB Schematic



RGB PC Layout



Actuators & Diffuser Styles

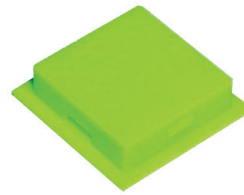
Red Diffuser



Yellow Diffuser



Green Diffuser



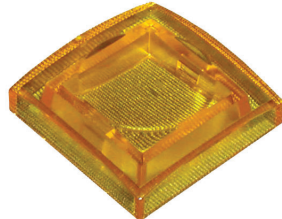
Blue Diffuser



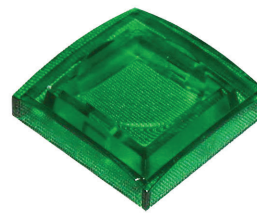
Red Actuator



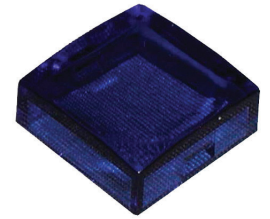
Yellow Actuator



Green Actuator

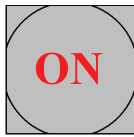


Blue Actuator

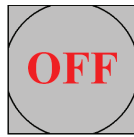


Laser Etching Styles

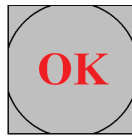
A Style



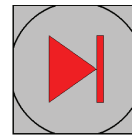
B Style



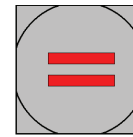
C Style



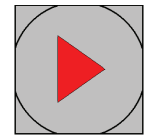
D Style



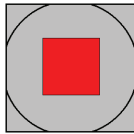
E Style



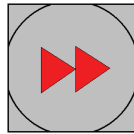
F Style



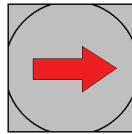
G Style



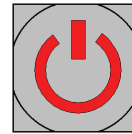
H Style



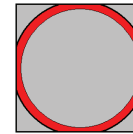
I Style



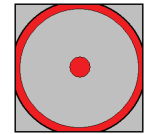
J Style



K Style



L Style

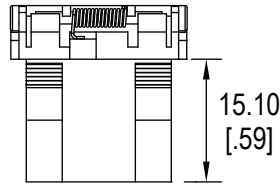
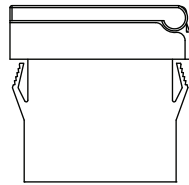
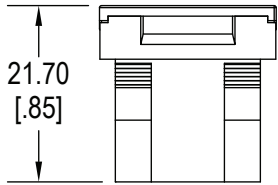
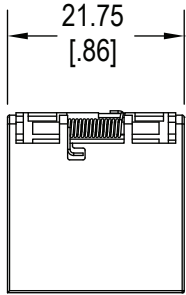


LED Characteristics

LED Ratings		Color					Units
		R	G	Y	B	W	
Reverse Voltage	V_R	5	5	5	5	5	V
Forward Current (avg)	I_F	30	30	30	30	30	mA
Forward Current (peak)	I_{FS}	100	120	100	100	100	mA
Reverse Current $V_R = 5V$	I_R	10	10	10	10	10	μA
Power Dissipation	P_T	100	100	100	120	120	mW
Operating & Storage Temperature	T_A	-40 ~ +85					$^{\circ}C$
Forward Voltage (typ) $I_F = 20mA$	V_F	1.7	1.7	1.7	3.5	3.5	V
Forward Voltage (max) $I_F = 20mA$	V_F	2.6	2.6	2.6	4.0	4.0	V
Wavelength at Peak Emmission, $I_F = 20mA$	λ_P	697	565	585	470	n/a	nm
Spectral Line Half-Width, $I_F = 20mA$	$\Delta\lambda$	20	20	20	25	n/a	nm
Luminous Intensity, $I_F = 20mA$	LI	171	171	171	450	400	mcd
Viewing Angle	Θ	50	50	50	50	50	deg

Switch Guard

With Spring Loaded Clear Cover



PANEL THK	L
0.75 - 1.25	20.1 - 20.3
1.25 - 2.0	20.3 - 20.5
2.0 - 3.0	20.5 - 20.7

